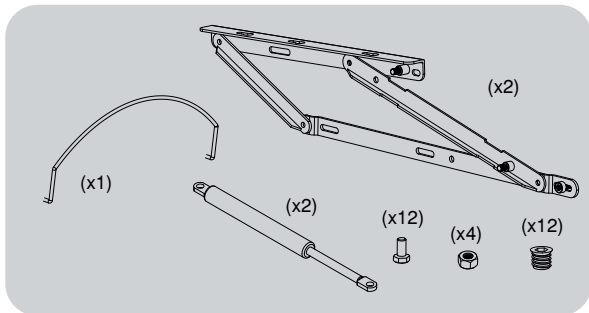
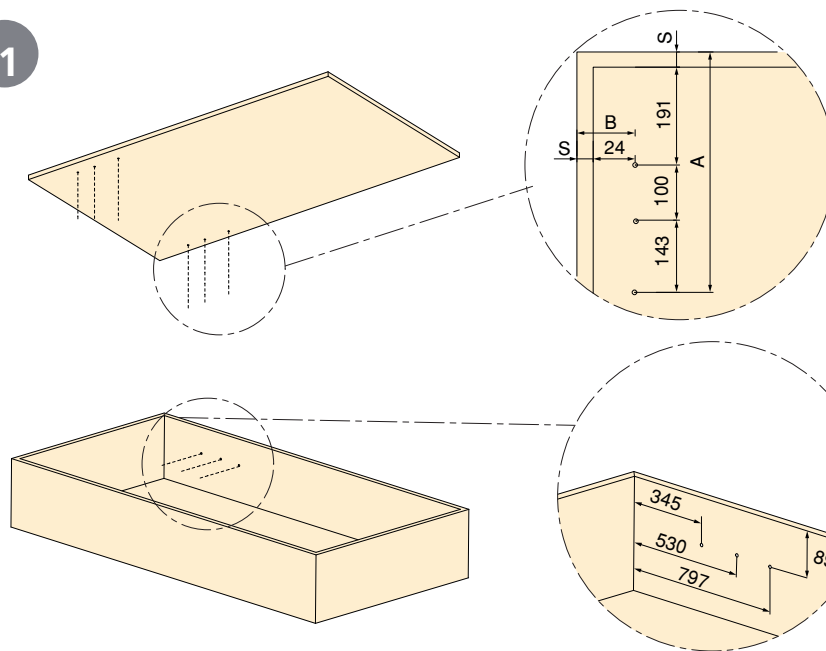


max. 60 kg



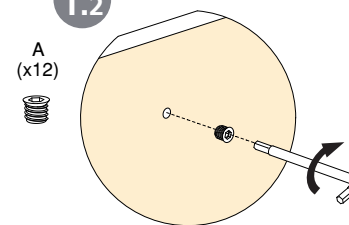
1



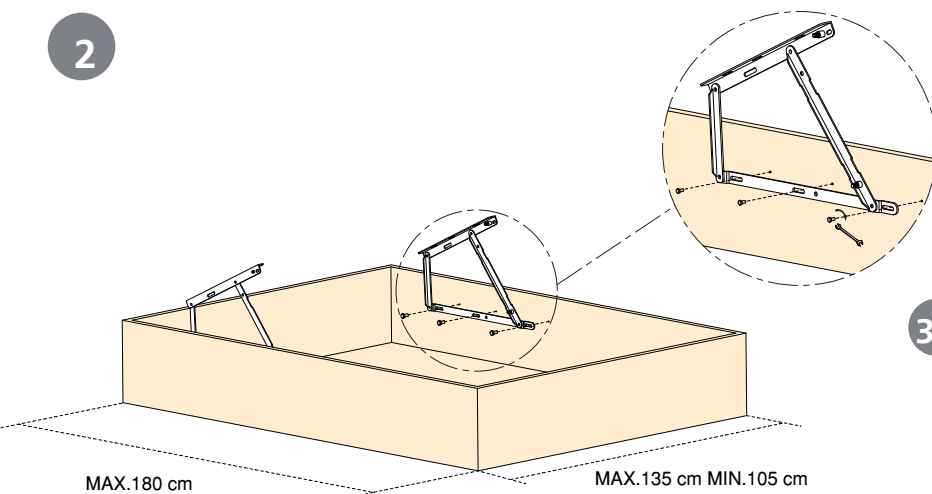
A=143+100+191+S  
B=24+S

1.2

A (x12)

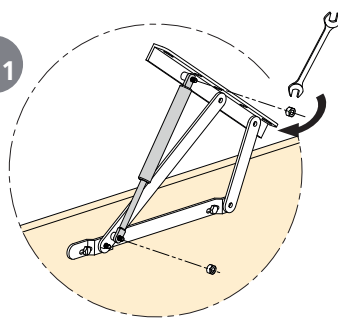


2

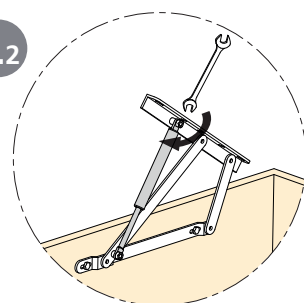


3

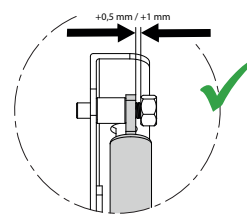
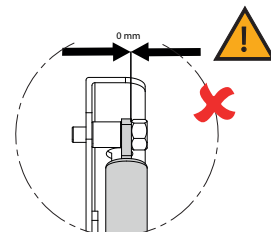
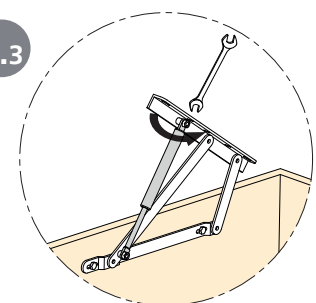
3.1



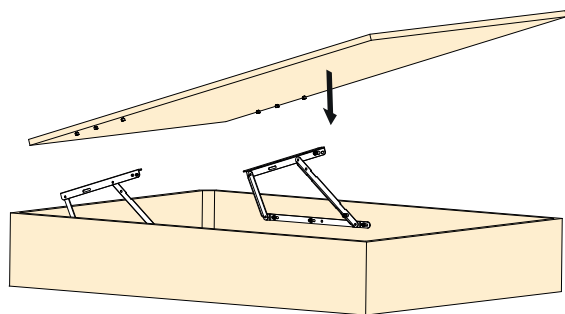
3.2



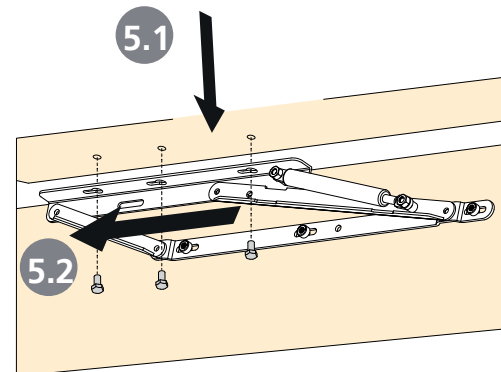
3.3



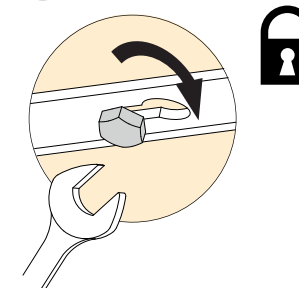
4



5



6



7

