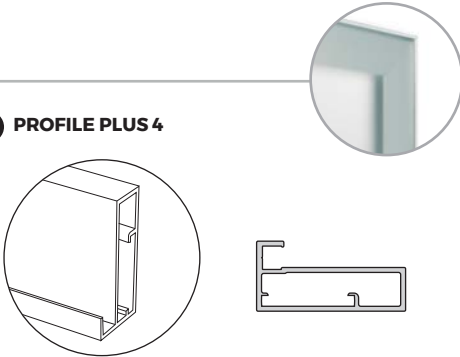
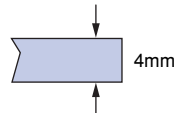


REQUIRED MATERIAL

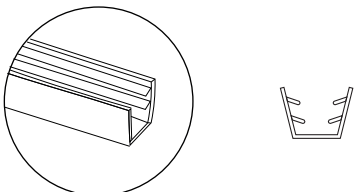
1 PROFILE PLUS 4




2 GLASS (Emuca does not commercialize this item)



3 GASKET FOR PLUS 4 - 7

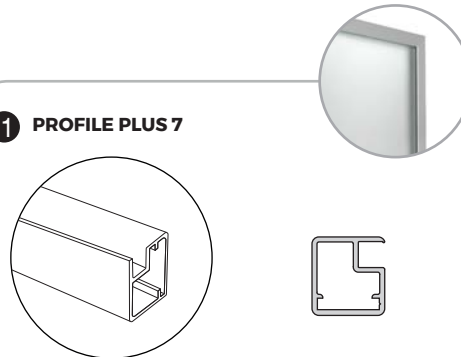


4 CORNERS FOR PLUS 4 - 11 **FULL OVERLAY HINGE X91 WITH SOFT CLOSE**

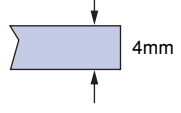


x4 x2 o x3

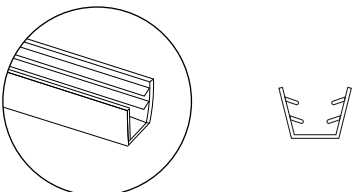
1 PROFILE PLUS 7




2 GLASS (Emuca does not commercialize this item)



3 GASKET FOR PLUS 4 - 7

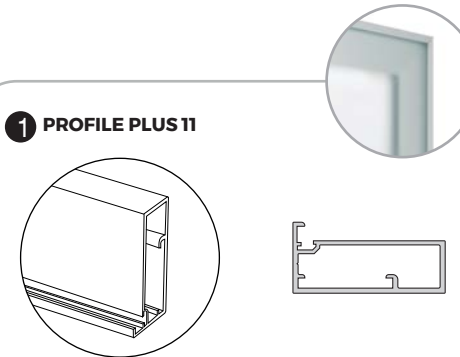


4 CORNERS FOR PLUS 7 **FULL OVERLAY HINGE X91N**

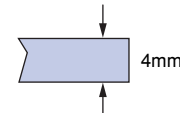


x4 x2 o x3

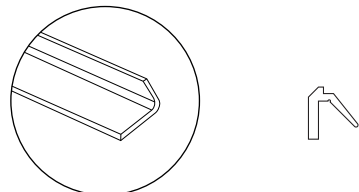
1 PROFILE PLUS 11



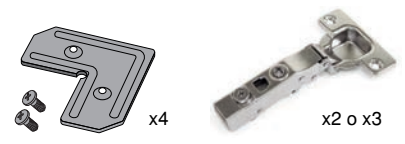
2 GLASS (Emuca does not commercialize this item)



3 GASKET FOR PLUS 11



4 CORNERS FOR PLUS 4 - 11 **FULL OVERLAY HINGE X91 WITH SOFT CLOSE**

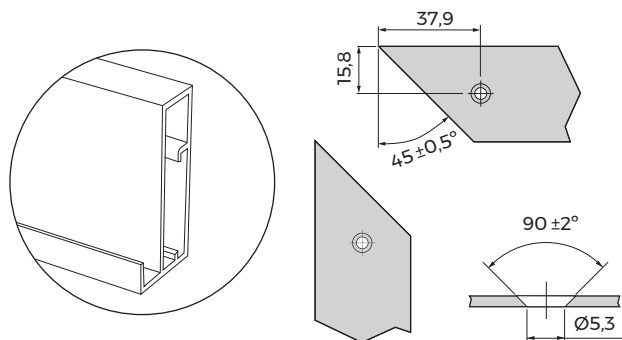


x4 x2 o x3

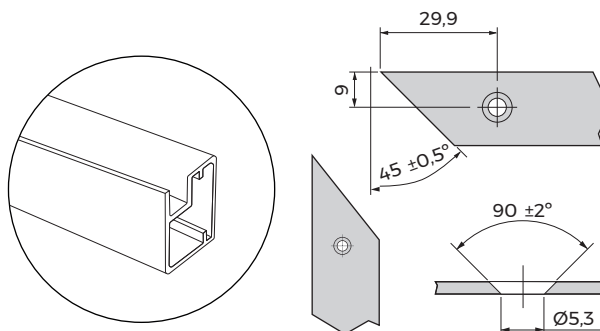
MATERIAL PREPARATION

1 CUTTING OF ALUMINIUM PLUS PROFILES

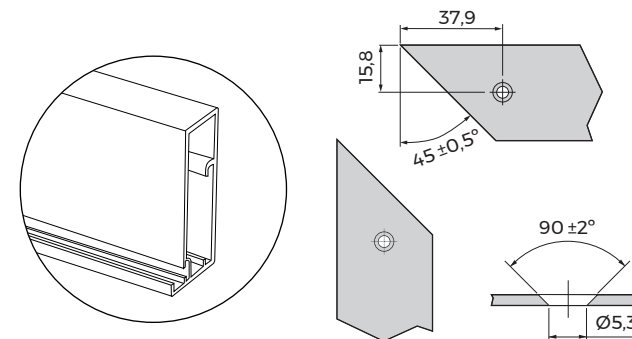
PLUS 4



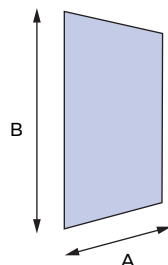
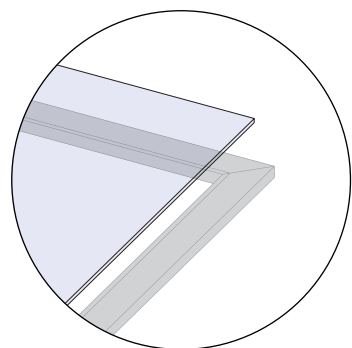
PLUS 7



PLUS 11



2 CUTTING GLASS
(Emuca does not commercialize this item)

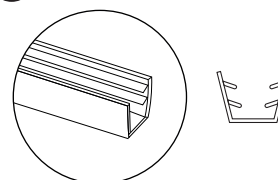


PLUS 4
A - 6mm
B - 6mm

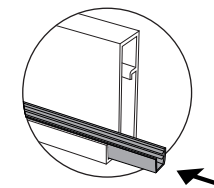
PLUS 7
A - 27mm
B - 27mm

PLUS 11
A - 3mm
B - 3mm

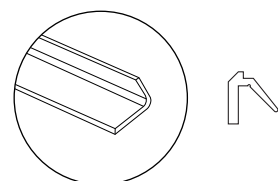
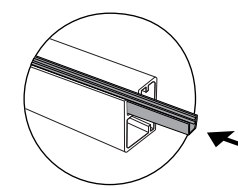
3 FITTING THE GASKET



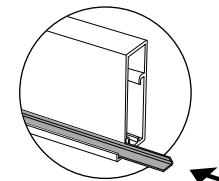
PLUS 4



PLUS 7

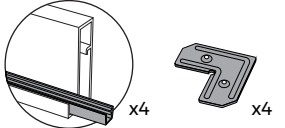


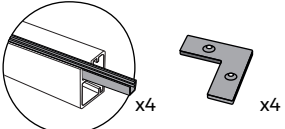
PLUS 11

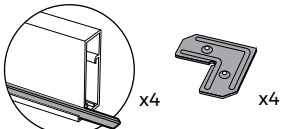


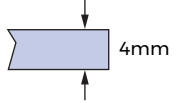

ASSEMBLY

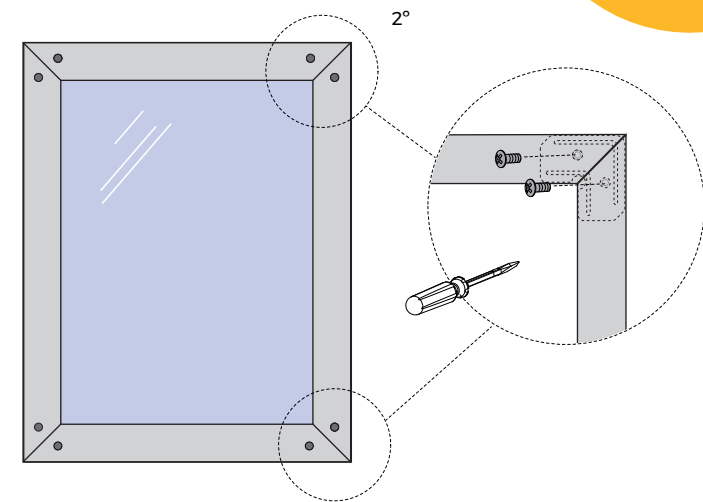
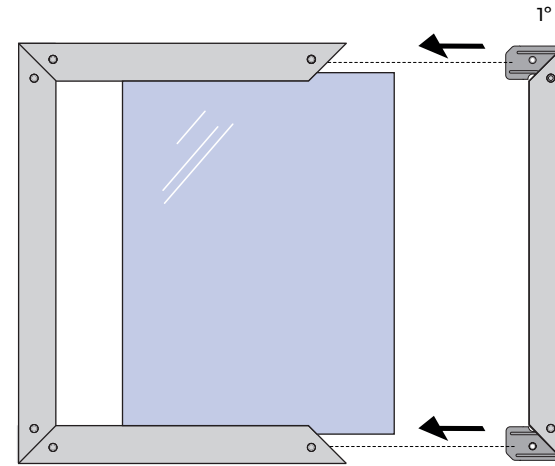
4


PLUS 4 + GASKET  x4


PLUS 7 + GASKET  x4


PLUS 11 + GASKET  x4

 4mm  x8 for brackets



PLUS 4, 11  x2 o x3

PLUS 7  x2 o x3

 x for Hinges

